

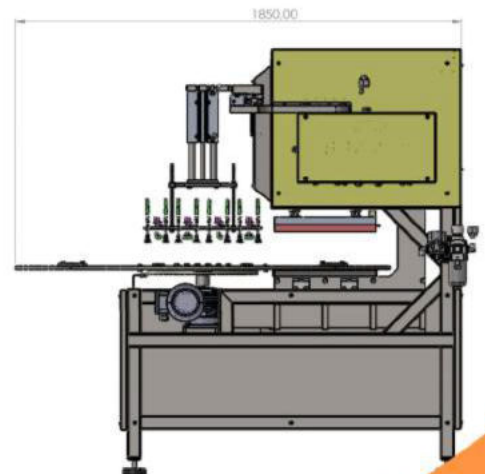
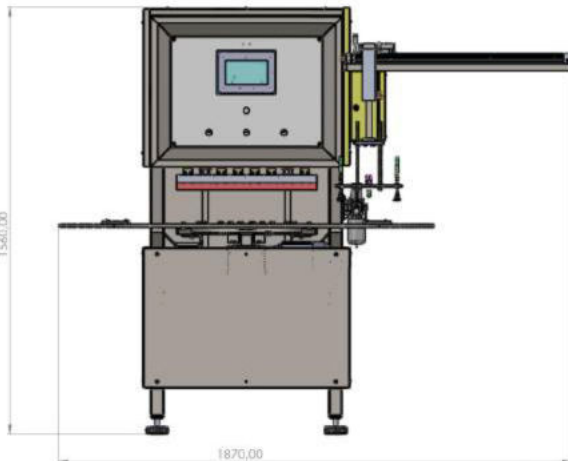
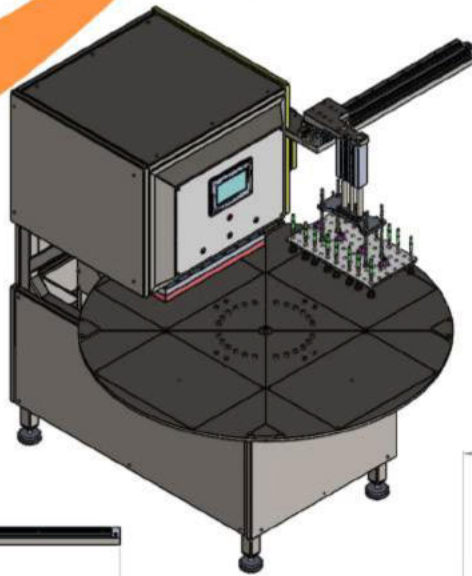
# 5030 Blister Sealing Machine with Rotary Table Robot Stacking

## Specifications

- Mold Size : 500mm x 300mm maximum
- 7" Delta Hmi Touch Panel
- Digital temperature setting
- Digital sealing time setting
- Pressing power pneumatic 12500 Newton (1250kg)
- Automatic working cycle
- Sliding table with linear guides
- Sealing table with linear bearing
- Air and moisture retaining filter
- Sealing cylinder speed adjustment
- Power 2500-3500 Watts
- Easy mold changing
- Rigid machine body
- Rubber based machine holders
- Pneumatic Stacking Robot for finished products



**CHS**  
THERMOFORMING  
INDUSTRIAL MACHINERY



ALL RIGHTS RESERVED		Model	Model Number	
REV	REV	REV	REV	REV
DATE	DATE	DATE	DATE	DATE
BY	BY	BY	BY	BY
CHK	CHK	CHK	CHK	CHK
APP	APP	APP	APP	APP